

INSTALLATION INSTRUCTIONS

For Model 4396

READ AND SAVE THESE INSTRUCTIONS

WARNING! SHUT POWER OFF AT FUSE OR CIRCUIT BREAKER.

AVERTISSEMENT! COUPER LE COURANT AU NIVEAU DES FUSIBLES OU DU DISJONCTEUR.

ASSEMBLING THE FIXTURE (Fig.3)

1. Shut off the power at the fuse box or circuit breaker. If necessary, remove the old fixture including the mounting hardware.
2. Carefully remove the new fixture from the carton and check that all parts are included as shown in the illustration.
3. Thread the fixture loop (I) onto the stud of the fixture body until snug.
4. Attach the glass (L) to the inner side of the fixture arm (M). Then align the holes, and secure by threading the two screws (K) with plastic washer (J) until snug. Repeat for the other panels.
5. Install the bulbs in accordance with the fixture's specification. (**DO NOT EXCEED THE MAXIMUM WATTAGE RATING!!**) (**NE PAS DEPASSER LA PUISSANCE NOMINALE MAXIMALE!**)

HANGING THE FIXTURE (Fig.1)

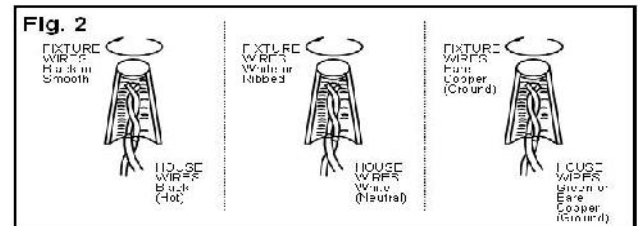
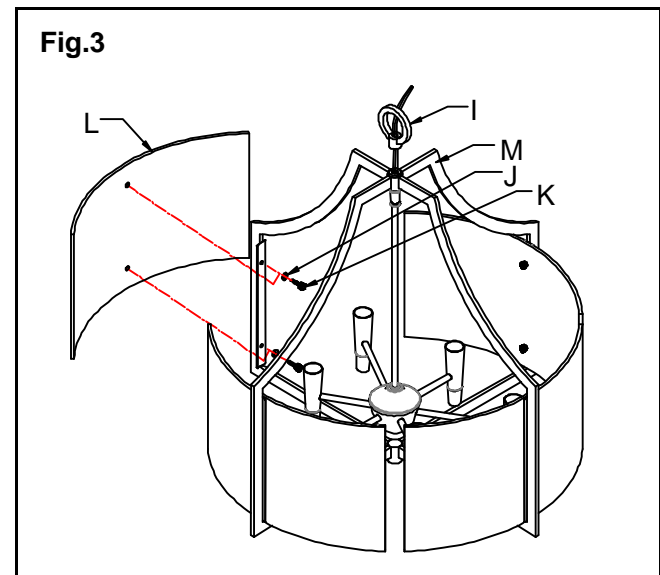
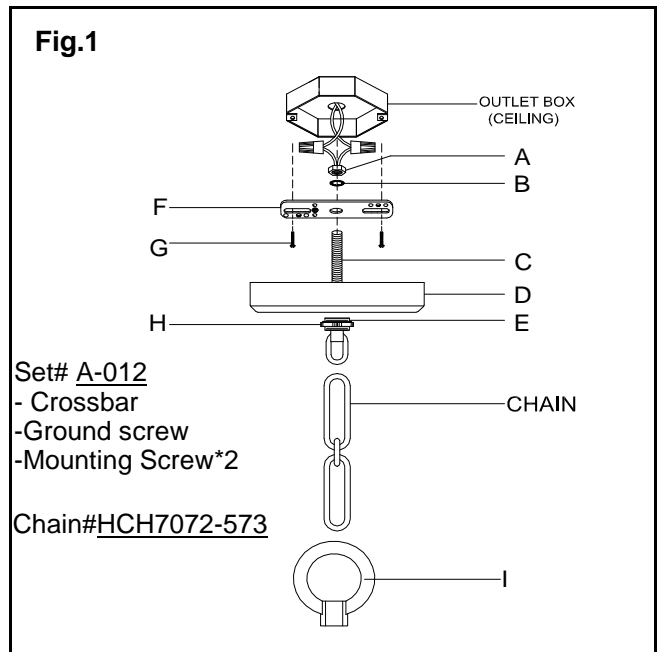
6. Thread the nipple (C) into the ceiling loop (E) until snug.
7. Place the lock washer (B) over the end of the nipple (C) protruding through the crossbar (F) and thread the hex nut (A) onto the nipple (C) until tight. Take this crossbar (F) assembly and mount to ceiling outlet box with outlet box screws (G) (Size: #8-32N*L0.5"). Tighten screws securely with a screwdriver. The side of the crossbar marked "GND" must face out.
8. Use a pair of chain pliers to open one end link of the chain provided and connect to the fixture loop (I). Close the link.
9. By measuring, determine the correct number of links needed for the desired hanging height. Using the chain pliers disconnect and discard remaining chain.
10. Carefully lace the fixture wires through the chain.
11. Slip loop collar (H) over the chain and do the same with canopy (D).
12. Open the other end link of the chain and connects to the ceiling loop (E). Close the link.
13. Feed the fixture wires through the loop (E) and nipple (C) and pull until tight.

CONNECTING THE WIRES (Fig. 2)

14. At this point, connect the electrical wires as shown in Fig. 2, making sure that all wire connectors are secured. If your outlet box has a ground wire (green or bare copper), connect the fixture's ground wire to it. Otherwise, connect the fixture's ground wire directly to the mounting plate using the green screw provided.
15. Tuck these wire connections neatly into the ceiling outlet box and raise the canopy (D) all the way to the ceiling. Raise the lock collar (H) and thread onto ceiling loop (E) protruding through canopy (D).

Your installation is now complete. Return power to the junction box and test the fixture.

Note: Illustration (Fig.1) on this manual is for installation purposes only. It may or may not be identical to the fixture purchased.



Notice: It is important to use proper chain pliers (not included) To OPEN and CLOSE the chain included with this fixture. Do not open them with other tools that may twist or stress the chain links. It is important to use proper chain pliers like the ones shown in the diagram.



LA-2209E